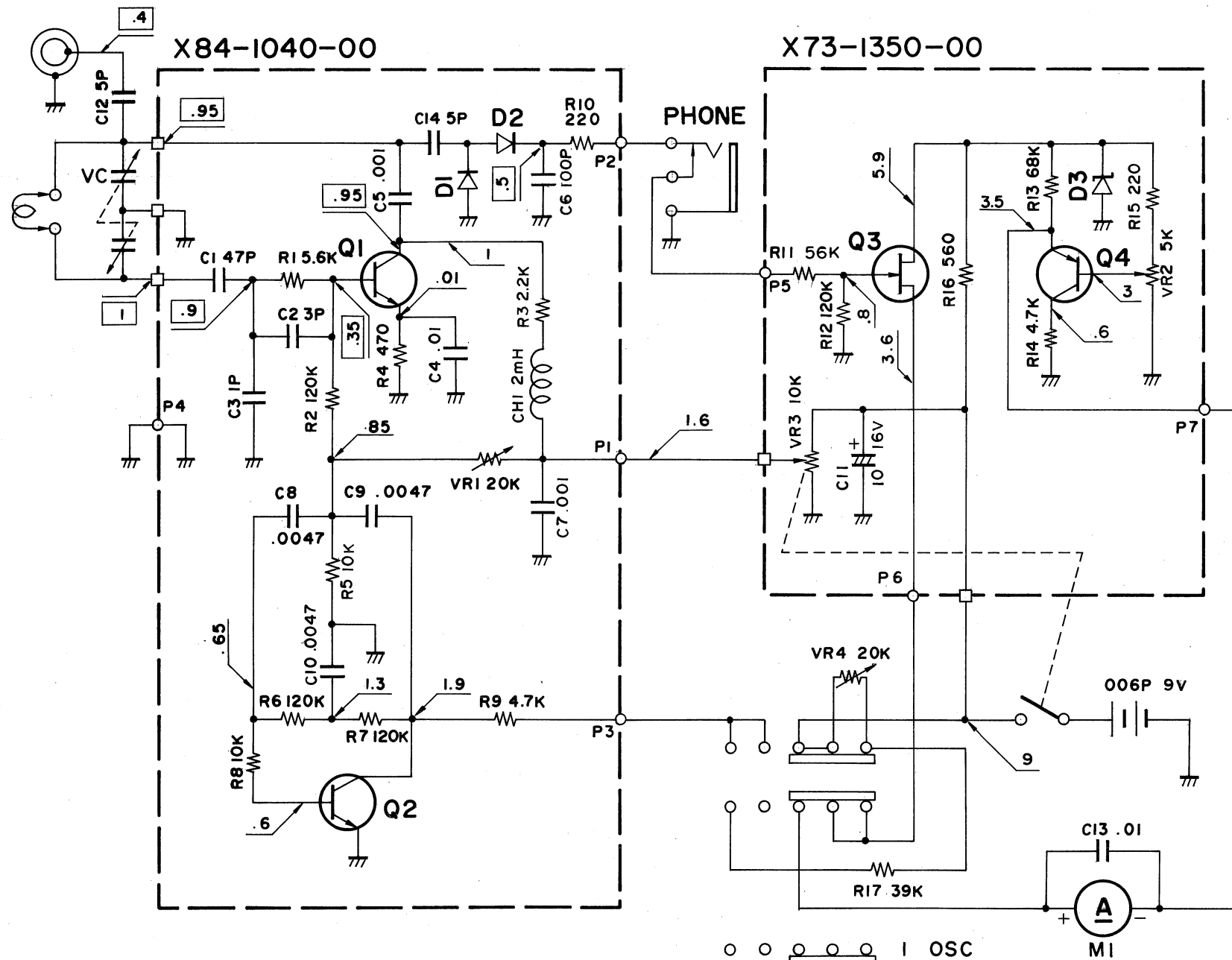
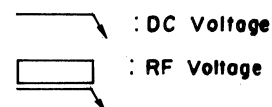


DM-801

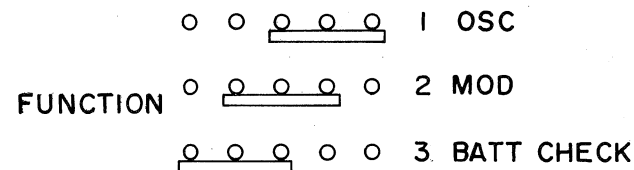


- Q1 : 2SC1215
- Q2 : 2SC945
- Q3 : 2SK19
- Q4 : 2SA719
- D1,2 : ISS16
- D3 : RD6.2EB

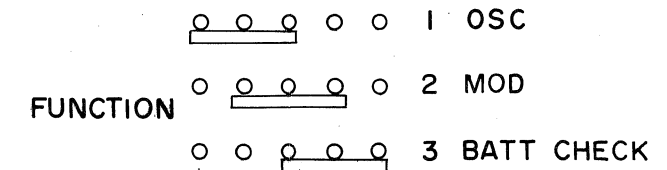
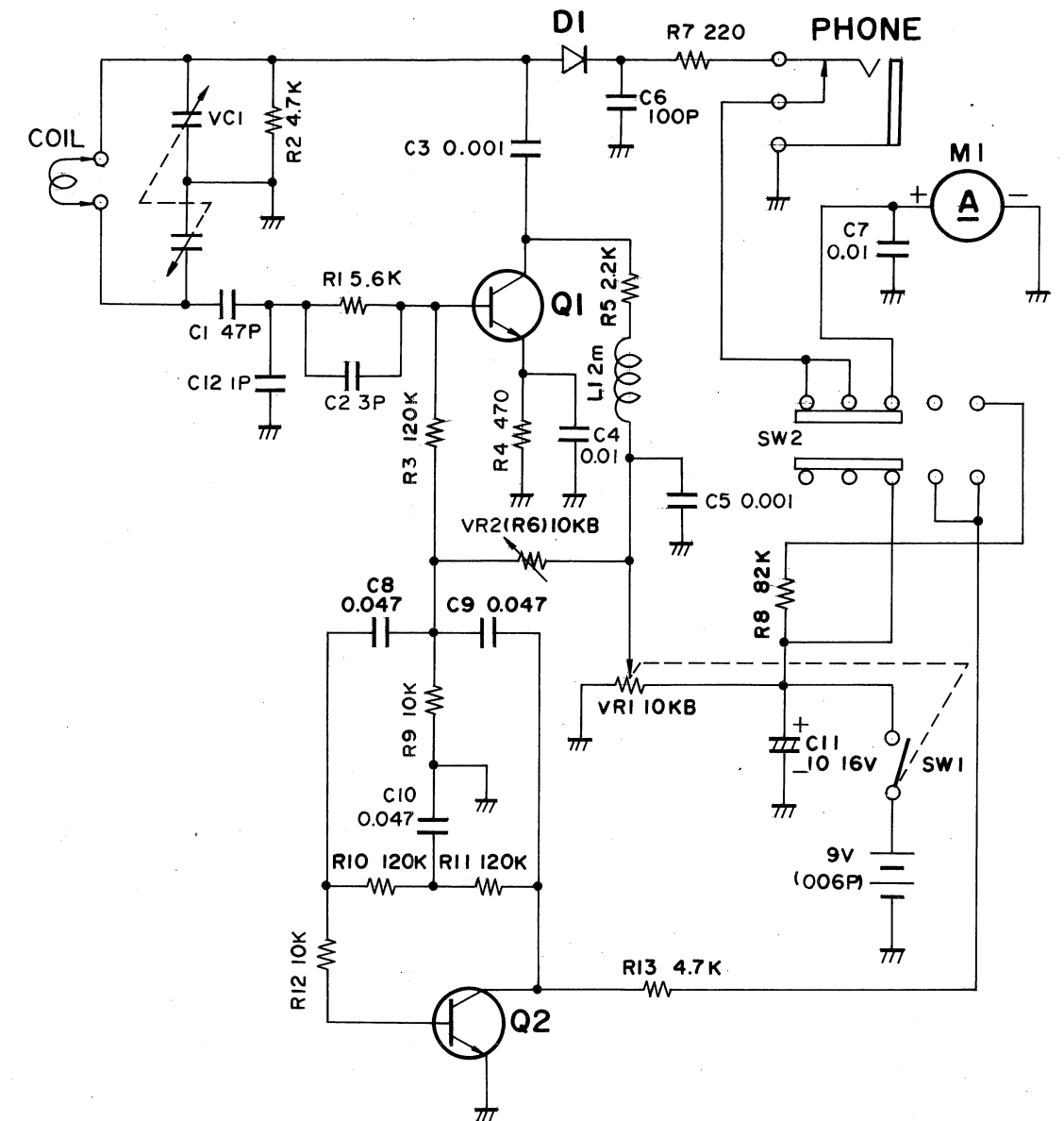
NOTE



Measuring conditions: Band D band
 Dial position: 7.0MHz
 Meter deflection: 0.7
 Voltmeters: RF and electronic voltmeters.



DM-800



- Q1 : 2SC717
- Q2 : 2SC945
- D1 : ISS16